



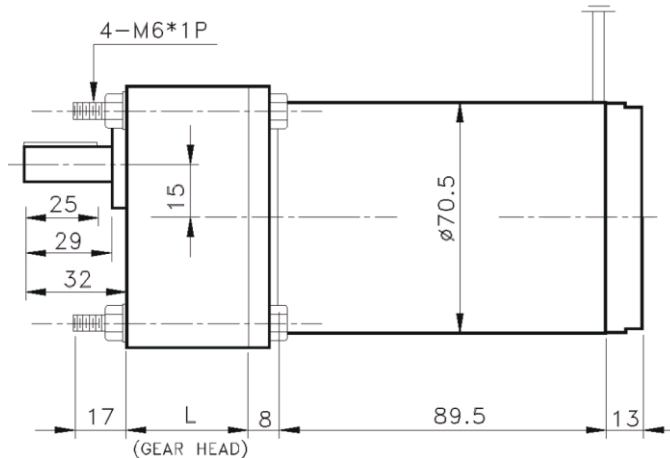
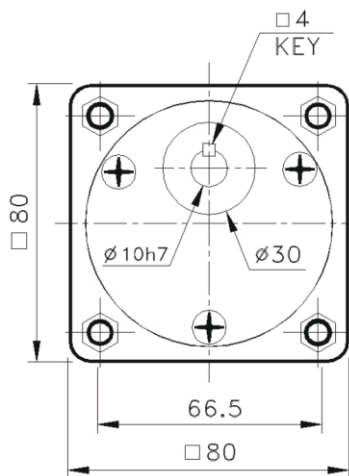
**STANDARD PRODUCT**

**Date:** 12/04/2009

**Prepared for:** Production

DC Gearmotor

**Model Number:** MMP PDSF80-90V GS-180



<b>DC MOTOR PERFORMANCE PARAMETERS</b>	<b>Value</b>	<b>Units</b>	<b>Tolerance</b>
RATED VOLTAGE D.C.	<b>90</b>	VOLTS	----
RATED CONTINUOUS CURRENT	<b>0.9</b>	AMPERE	----
RATED CONTINUOUS TORQUE	<b>28</b>	OZ - IN	----
RATED SPEED	<b>2600</b>	RPM	+/- 15%
RATED CONTINUOUS POWER OUT	<b>33</b>	WATTS	+/- 15%
NO LOAD SPEED	<b>3000</b>	RPM	MAX
NO LOAD CURRENT	<b>0.19</b>	AMPS	MAX
BACK EMF CONSTANT (Ke)	<b>27.0</b>	V/KRPM	+/- 10%
TORQUE CONSTANT (Kt)	<b>36.5</b>	OZ - IN / A	+/- 10%
DC ARMATURE RESISTANCE AT 1.5 AMPS	<b>4.3</b>	OHMS	+/- 15%
ARMATURE TEMP	<b>155</b>	DEGR. C	MAX
PEAK TORQUE	<b>TBD</b>	OZ - IN	----
<b>GEARMOTOR OUTPUT PARAMETERS:</b>			
GEARBOX RATIO	<b>180 : 1</b>		
GEARBOX RATED CONTINUOUS TORQUE	<b>70</b>	LB - IN	MAX
GEARBOX RATED PEAK TORQUE	<b>100++</b>	LB. - IN	MAX
GEARBOX SHAFT OUTPUT SPEED *	<b>14.4</b>	RPM	----
GEARBOX EFFICIENCY	<b>69</b>	%	
TOTAL GEARMOTOR WEIGHT	<b>~64</b>	OUNCES	MAX
"L" Dimension—Gearbox Length	<b>1.7</b>	INCHES	MAX.

**MMP PDSF80-90V 180: 1 Note: Overall Gearmotor Length = 5.7 Inches**

**++ All Peak Torque Values are dependent upon duty. Kindly consult our Sales Offices for further details**

**MIDWEST MOTION PRODUCTS**

**Design, Manufacturing & Distribution – Motion Control Equipment**

10761 Ahern Avenue S. E. Watertown, MN. 55388

Phone: 952-955-2626 Fax: 480-247-4096

www.midwestmotion.com

email: randy@midwestmotion.com